

# Flexem FPAD7 Series HMI

## Model: FPAD710

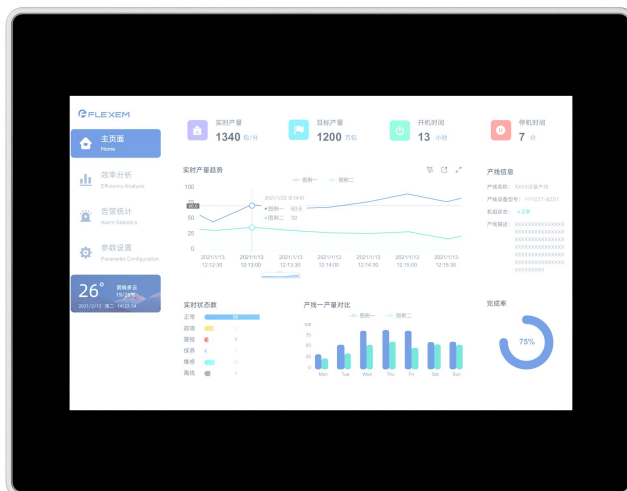
### Product Overview

The FPAD7 series is a new generation of Web HMI, which has a high performance and continues the cost-effective HMI application solutions; it supports HTML5 browser remote access and rich edge computing functions; and its new appearance design

The new appearance design improves the overall design sense of the product. Dual Gigabit Ethernet port configuration to meet the needs of on-site data interconnection. High-resolution liquid crystal configuration and standard

High-resolution configuration and standard HDMI interface for high-definition playback of video content. A variety of sizes are available to meet the needs of different application scenarios.

### Product Appearance





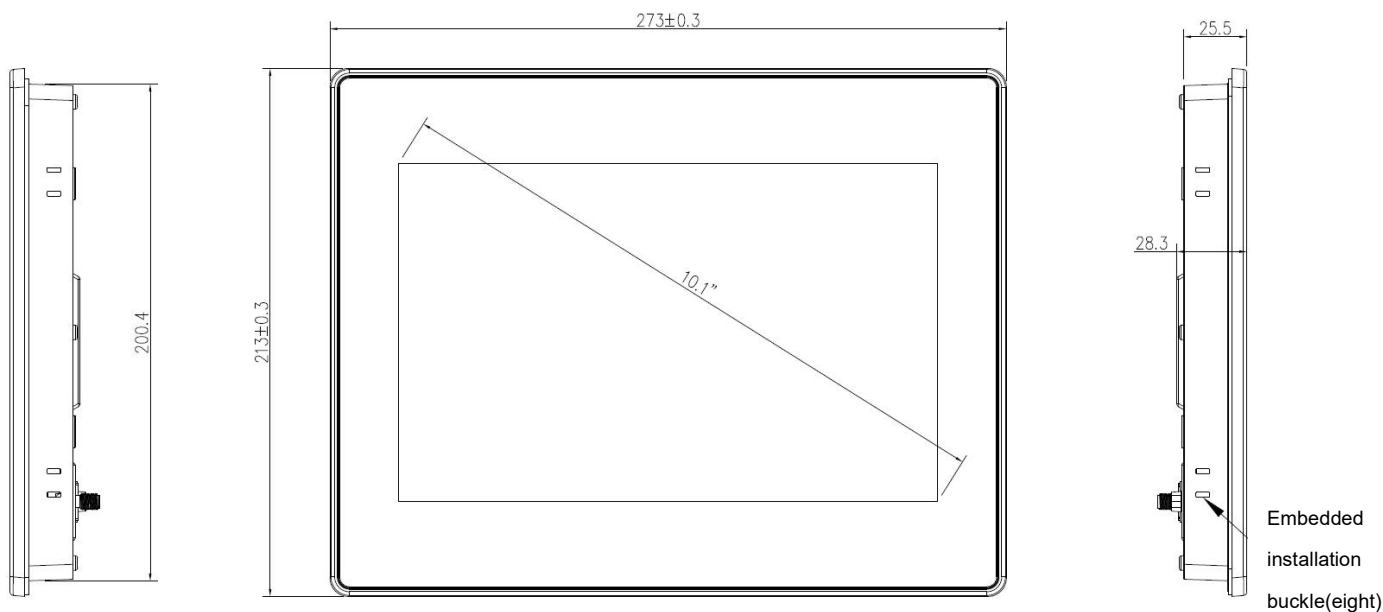
## Product Specifications

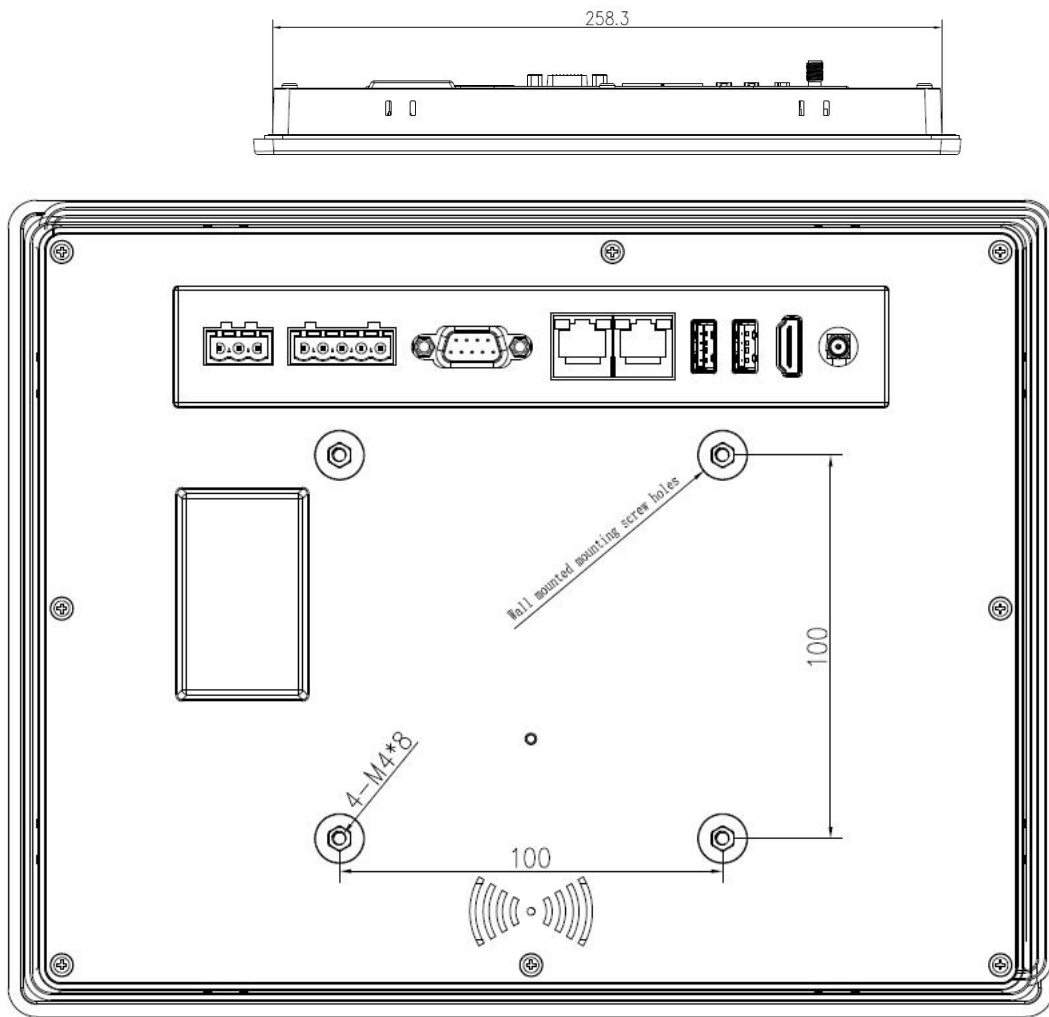
	Display	10.1" 16:10 TFT LCD
	LCD Viewing Angles (T/B/L/R)	85'/85'/85'/85'
	Resolution	1280× 800
	Colors	24-bit
	Brightness	400 cd/m <sup>2</sup>
	Backlight Type	LED
	LCD Lifetime	50000 hours
	Touch Panel	4-wire industrial resistive touchscreen
	CPU	SOC 8nm Ai chip, octa-core 64-bit size core architecture: 4*Cortex-A76 + 4*Cortex-A55, 2.4GHz; Ai arithmetic power 6.0Tops
	GPU	Mali-G610 MC4
	Storage	32GB EMMC+4GB DDR4
	RTC	Built-in
	Ethernet	2*Gigabit Ethernet(10/100/1000M)
	USB Port	2*USB3.0 Type-A port
	HDMI Port	HDMI 2.0a port,support 1080P display
	Serial Port	COM1:RS232/RS485/RS422 COM3:RS232 COM2:RS485/RS422
	WiFi	Optional
	4G	Optional
Electrical Specifications	Rated Power	< 10W
	Input Power	DC24V,input range: 18V~28V
	Power Protection	With lightning surge protection
	Power Interruption Tolerance	< 5mS



	Pin1	Rx+(A) (COM2 RS422/485+)
	Pin2	Rx-(B) (COM2RS422/485-)
	Pin3	GND
	Pin4	Tx+ (COM2 RS422)
	Pin5	Tx- (COM2 RS422)
<b>USB Host Port</b>		
	USB Type A 3.0	For peripheral devices, such as flash drive or bar code scanner, etc.
<b>USB OTG Port</b>		
	USB Type A 3.0	For program downloading and debugging. For peripheral devices, such as flash drive or bar code scanner, etc.
<b>HDMI Port</b>		
	HDMI 2.0a	Support 1080P display.
<b>Ethernet port*2</b>		
	RJ45	Used for Ethernet setup with controllers or to connect servers
<b>Antenna Port (Optional)</b>		
	Antenna Socket	SMA antenna port

## Dimension drawings





*Cutout dimensions of flush-mounted installation: 260mm\*202mm;  
VESA installation: 100mm\*100mm*